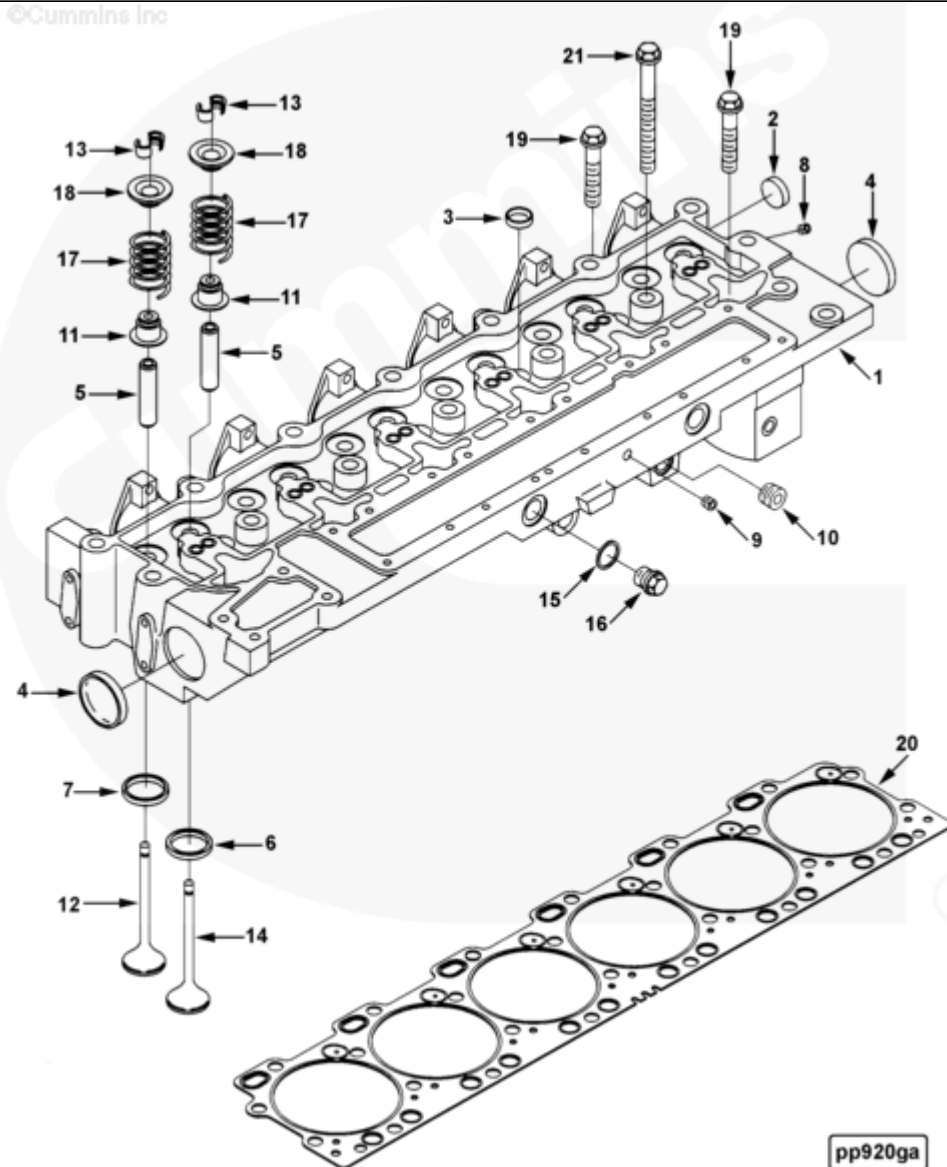




# Parts Catalog - Option Detail

Electronic Parts Catalog - Option Detail				
Option	Group	Graphic	Film Card	Date
PP1282	02.01	pp920ga	Z	24-AUG-95
<b>Engines</b>	6C8.3, C GAS PLUS CM556, G8.3, G8.3 CM558, GTA8.3 CM558, ISC CM2150, ISC CM554, ISC CM850, ISC8.3 CM2250, ISC8.3 G CM2180 C101, ISL CM2150, ISL CM554, ISL CM850, ISL G CM2180, ISL8.9 CM2150 L110, ISL8.9 CM2880 L112, ISL9 CM2150 SN, ISL9 CM2250, ISL9 CM2350 L101, ISL9 CM2350 L111, ISLE4 CM850, L GAS PLUS CM556, L8.9, L8.9 L121, L8.9G CMOH2.0 L125B, L9 CM2350 L116B, L9 CM2350 L119B, L9 CM2350 L120C, L9 CM2350 L123B, L9.3 L105, L9.5 L117, L9N CM2380 L124B, QSC8.3 CM2250, QSC8.3 CM2880 C102, QSC8.3 CM554, QSC8.3 CM850(CM2850), QSL9 CM2250, QSL9 CM2250 L115, QSL9 CM2350 L102, QSL9 CM2350 L107, QSL9 CM2350 L118, QSL9 CM2350 L122, QSL9 CM554, QSL9 CM850(CM2850), QSL9 G CM558, QSL9 M CM2250 L106, QSL9.3 CM2880 L113			



pp920ga

SMALL | MEDIUM | LARGE

Cart	Ref No	Part Number	Part Description	Required	Remarks
<a href="#">View My Cart</a>					
		<a href="#">PP1282</a>	Cylinder Head		
					CPL# 1282 Cylinder Head
					Assembly with Single Exhaust
					Valve Spring.
<input type="checkbox"/>		<a href="#">3913111</a>	Cylinder Head		
	1	<a href="#">3911286</a>	Cylinder Head	1	
<input type="checkbox"/>	2	<a href="#">156075</a>	Expansion Plug	1	1 3/16 in.
<input type="checkbox"/>	3	<a href="#">3032693</a>	Expansion Plug	5	1.198 in.
<input type="checkbox"/>	4	<a href="#">3900965</a>	Expansion Plug	2	58.06 mm
<input type="checkbox"/>	5	<a href="#">3901187</a>	Valve Stem Guide	12	
<input type="checkbox"/>	6	<a href="#">3904716</a>	Valve Insert	6	Exhaust
	7	<a href="#">3908830</a>	Valve Insert	6	Standard
<input type="checkbox"/>	8	<a href="#">3008464</a>	Pipe Plug	1	1/16 NPT
<input type="checkbox"/>	9	<a href="#">3008466</a>	Pipe Plug	1	1/4 NPT.
<input type="checkbox"/>	10	<a href="#">3008468</a>	Pipe Plug	2	1/2 NPT.
<input type="checkbox"/>	11	<a href="#">3915707</a>	Valve Stem Seal	12	
<input type="checkbox"/>		<a href="#">3802083</a>	Intake Valve	6	
<input type="checkbox"/>	12	<a href="#">3915506</a>	Intake Valve	6	
<input type="checkbox"/>	13	<a href="#">3901177</a>	Valve Collet	12	
<input type="checkbox"/>		<a href="#">3802085</a>	Exhaust Valve	6	
<input type="checkbox"/>	14	<a href="#">3902254</a>	Exhaust Valve	6	
<input type="checkbox"/>	13	<a href="#">3901177</a>	Valve Collet	12	
<input type="checkbox"/>	15	<a href="#">3902425</a>	Sealing Washer	2	M22
<input type="checkbox"/>	16	<a href="#">3904386</a>	Threaded Plug	2	M22 x 1.50 x14
<input type="checkbox"/>	17	<a href="#">3906412</a>	Valve Spring	12	Standard
	18	<a href="#">3912976</a>	Valve Spring Retainer	12	
<input type="checkbox"/>	19	<a href="#">3907234</a>	Hexagon Flange Head Cap Screw	12	M14 x 2.00 x 70
<input type="checkbox"/>	20	<a href="#">3928168</a>	Cylinder Head Gasket	1	Standard

<input type="checkbox"/>	21	<a href="#">3907233</a>	Hexagon Flange Head Cap Screw	14	M14 x 2.00 x 150
<input type="checkbox"/>	20	<a href="#">3921852</a>	Cylinder Head Gasket		0.25 mm Oversize Thickness
<input type="checkbox"/>	20	<a href="#">3921853</a>	Cylinder Head Gasket		0.50 mm Oversize Thickness

© 2019 Cummins Inc., Box 3005, Columbus, IN 47202-3005 U.S.A.  
Terms of Use and Disclaimers | Recommended System Requirements  
Need Assistance? Please click on the Contact Us button in the top right corner of any page.